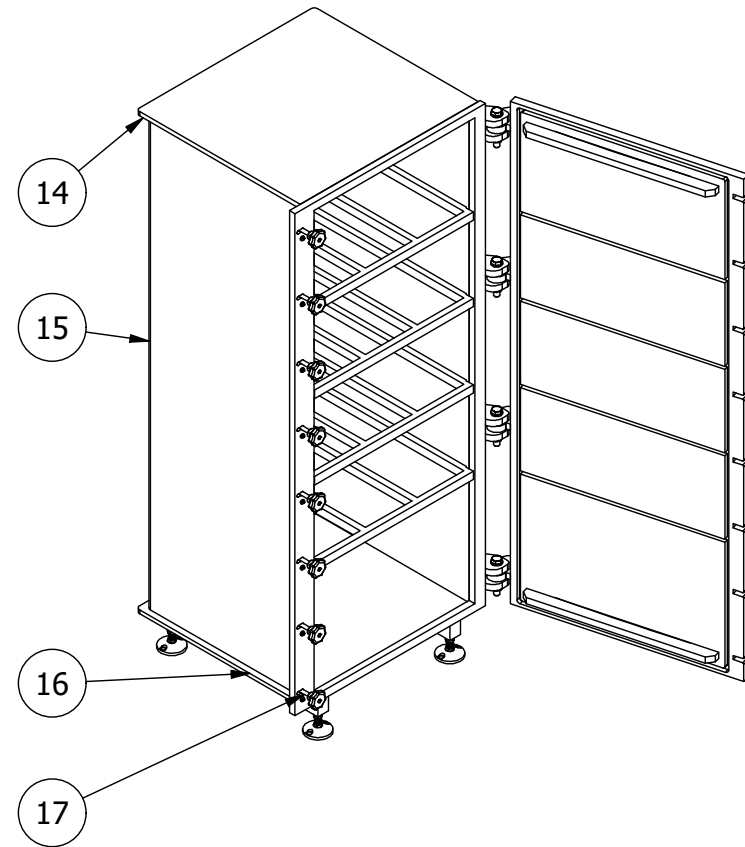
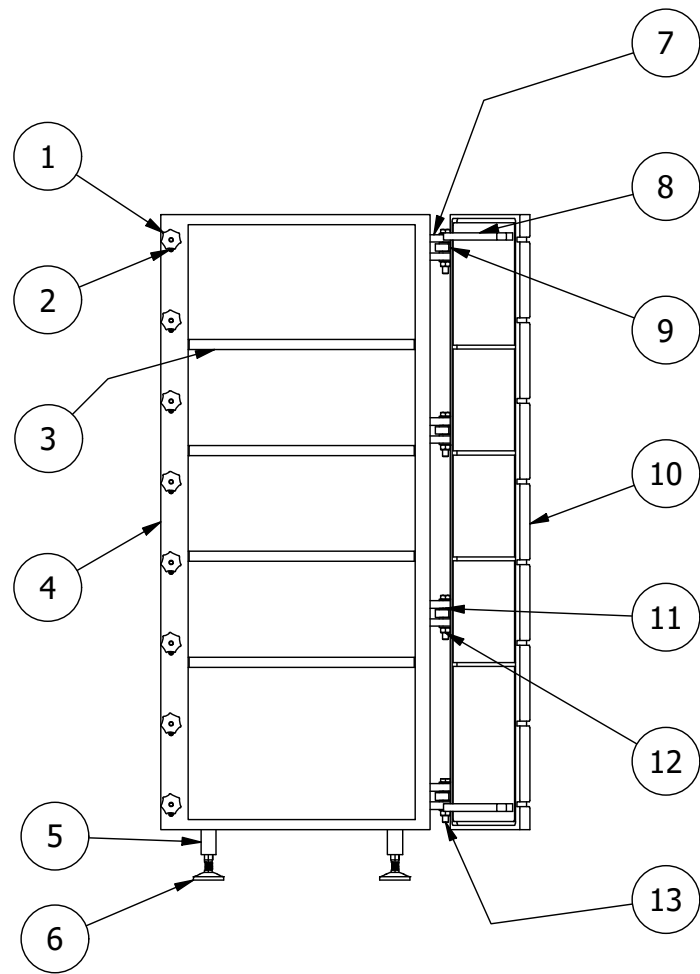

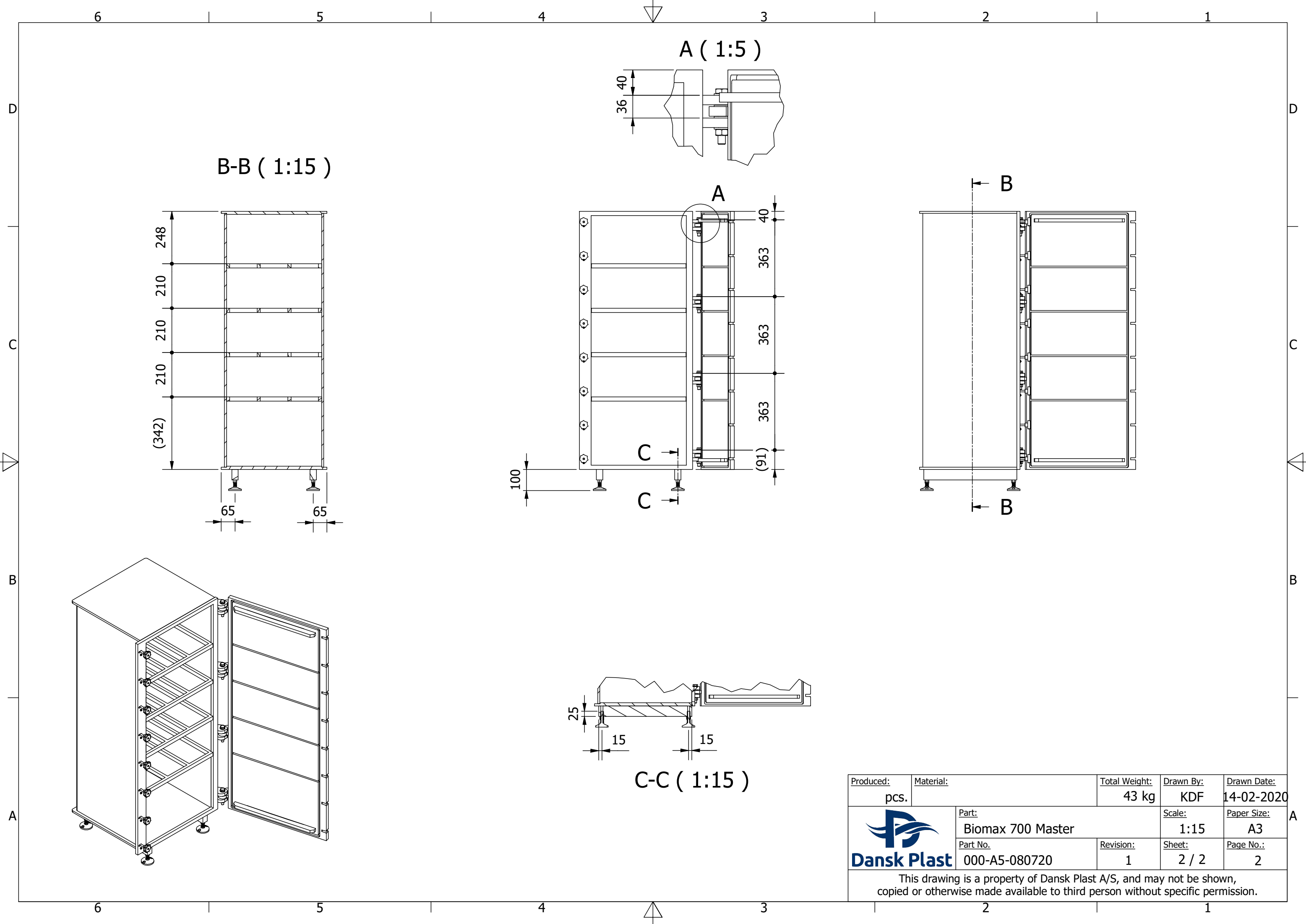



Lager (Ind og Udløb minteres ved ordre)



Pos.	Pcs.	Part.	Comment.		
1	8	10001001634-LM	M8 Stjernebolt		
2	8	ISO 7049 - ST4,8 x 13 - C - Z	Skrue		
3	4	110-A5-080720	Hylde		
4	1	107-A5-080720	Flange 1		
5	2	109-A5-080720	Vange filterramme del 1		
6	4	4030334541-LM	Maskin sko		
7	8	105-A5-080720	Hængsel del 1		
8	2	108-A5-080720	Forstærkning		
9	4	106-A5-080720	Hængsel del 2		
10	1	104-A5-080720	Forplade		
11	16	DIN 125 - A 13	Washer		
12	4	DIN 934 - M12	Hex Nut		
13	4	DIN 931-1 - M12 x 80	Hex-Head Bolt		
14	1	102-A5-080720	Top		
15	1	101-A5-080720	Bukket plade		
16	1	103-A5-080720	Bundplade		
17	8	F018A-LH&I	M8 T-bolt		
Produced:		Material:	Total Weight:	Drawn By:	Drawn Date:
pcs.			43 kg	KDF	14-02-2020
		Part:	Scale:		Paper Size:
		Biomax 700 Master	1:15		A3
		Part No.	Revision:	Sheet:	Page No.:
		000-A5-080720	1	1 / 2	1
This drawing is a property of Dansk Plast A/S, and may not be shown, copied or otherwise made available to third person without specific permission.					



Produced:	Material:	Total Weight:	Drawn By:	Drawn Date:
pcs.		43 kg	KDF	14-02-2020
 Dansk Plast	Part:	Scale:	Paper Size:	
	Biomax 700 Master	1:15	A3	
Part No.	Revision:	Sheet:	Page No.:	
000-A5-080720	1	2 / 2	2	
This drawing is a property of Dansk Plast A/S, and may not be shown, copied or otherwise made available to third person without specific permission.				