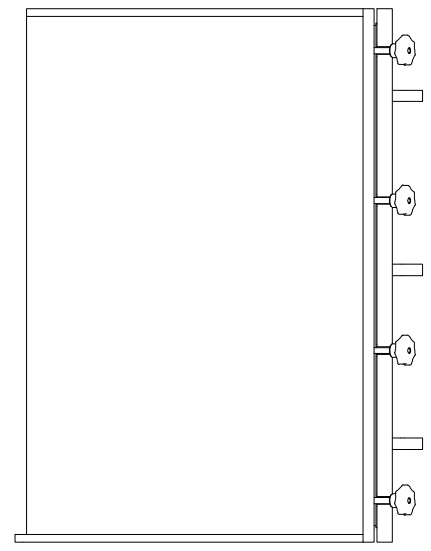
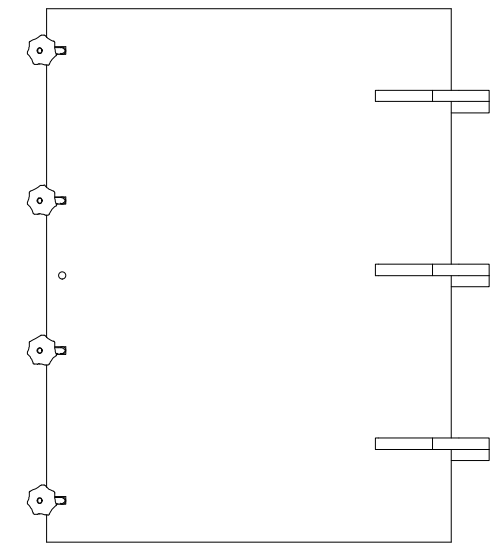
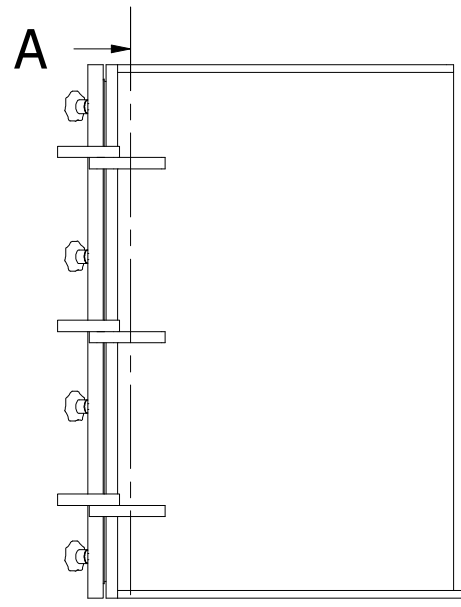
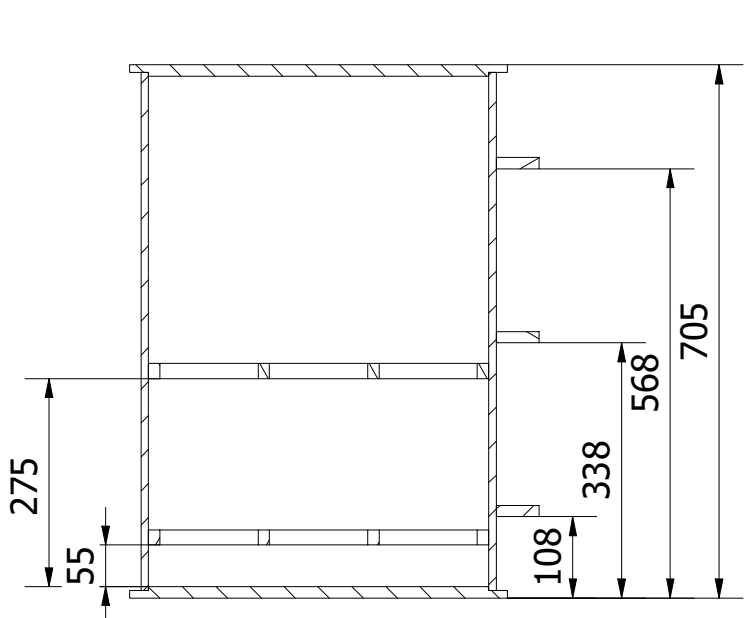


6 5 4 3 2 1

A-A ( 1:10 )

D

D



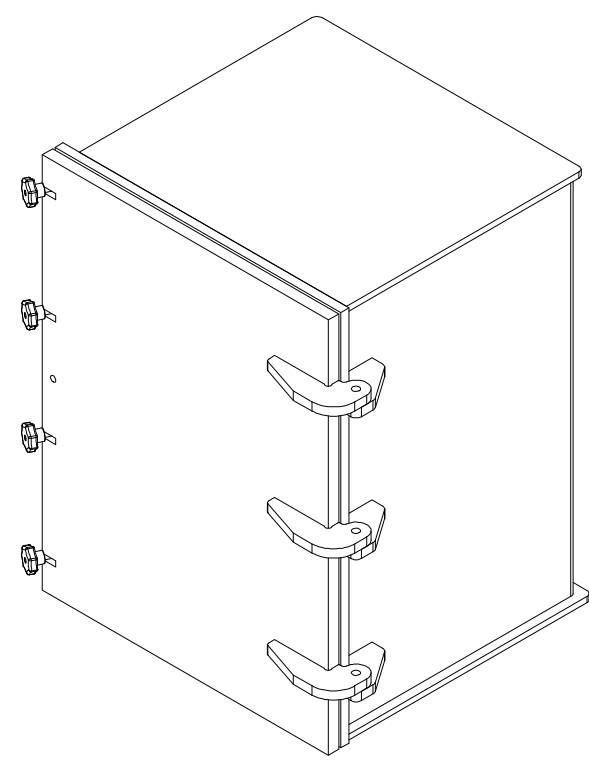
C

C

A

B


B



A

A

6 5 4 3 2 1

Produced: 1pcs.	Material:	Total Weight: 26 kg	Drawn By: AKR	Drawn Date: 18-06-20
 <b>Dansk Plast</b>	Part: Biomax 200 - Master	Scale: 1:10	Paper Size: A3	
	Part No.: 000-A4-130720	Revision: 002	Sheet: 1 / 11	Page No.:

This drawing is a property of Dansk Plast A/S, and may not be shown, copied or otherwise made available to third person without specific permission.